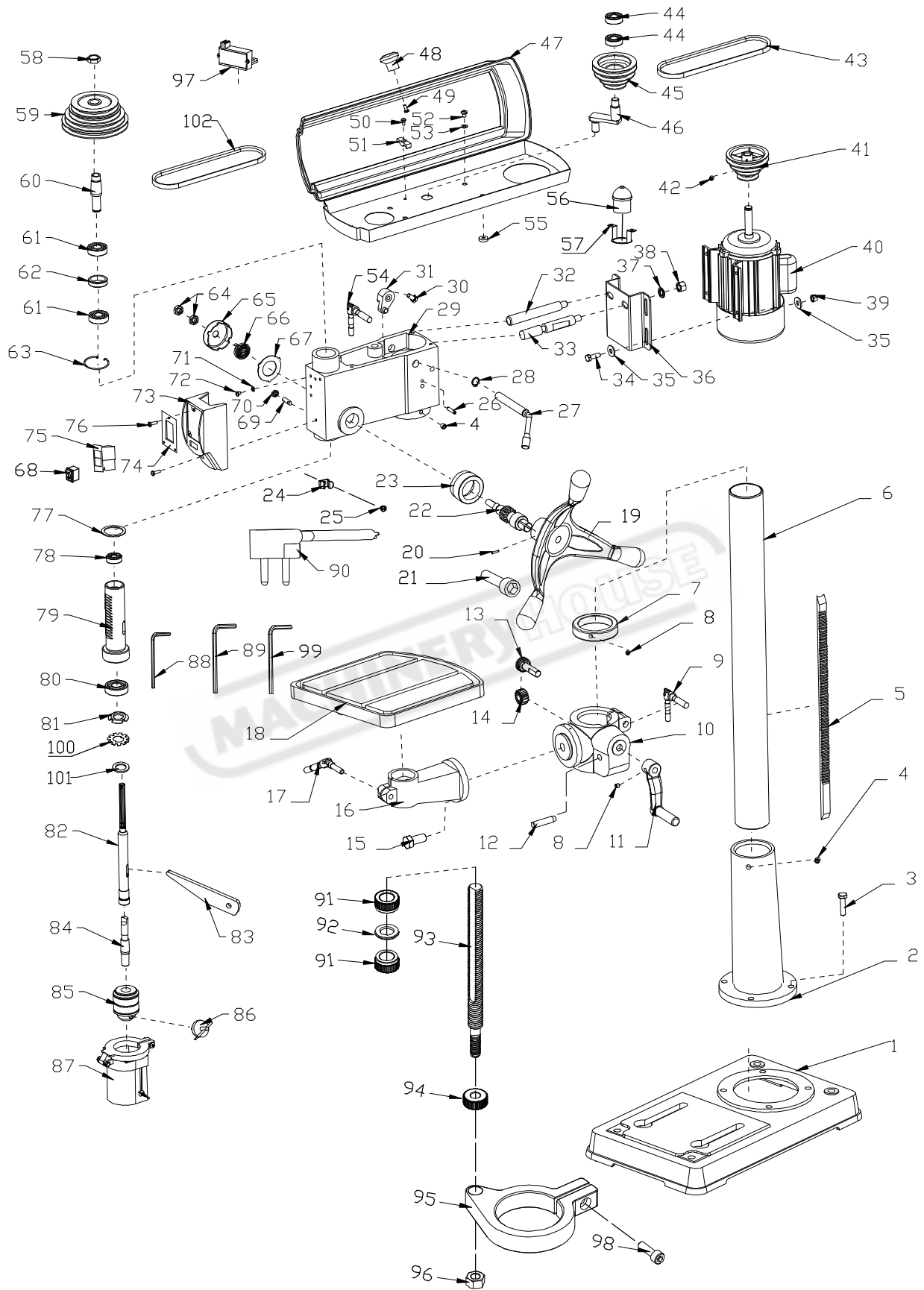


ITEM	DESCRIPTION	PART No RDM-1601F(B)	PART No RDM-2001F(B)	PART No RDM-2801F(B)
1	BASE	13301001	16101001	16101001
2	SCREW-HEX.HD GB5782-86	M10-40	M10-40	M10-40
3	SUPPORT COLUMN(F)	16101002	16101002	16201002
4	SUPPORT COLUMN(B)	16101002B	16101002B	16201002A
5	RACK(F)	16101010	16101010	16101010
6	RACK(B)	16101010A	16101010A	16101010A
7	COLLOR-RACK	16101011	16101011	16201011
8	SCREW-HEX.SOC GB80-85	M6-10	M6-10	M6-10
9	TUBE-COLUMN(F)	16101003	16101003	16201003
10	TUBE-COLUMN(B)	16101003B	16101003B	16201003A
11	SUPPORT-TABLE	16101004	16101004	16201004
12	SCREW-HEX SOC GB80-85	M10-12	M10-12	M10-12
13	CRANK	13201009	13201009	13201009
14	PIN-GEAR	16101007	16101007	16101007
15	SCREW-HEX HD GB5782-86	M16-35	M16-35	M16-35
16	CLAMP-TABLE	16101013	16101013	16101013
17	ARM-TABLE(OPTION)	13301005	16101005	16201005
18	TABLE SQUARE(OPTION)	13301014	16101014	
19	TABLE ROUND(OPTION)	16101014A	16101014A	
20	WET TABLE(OPTION)		16101014B	16201014
21	CLAMP COLUMN	16101012	16101012	16101012
22	GEAR HELICAL	16101006	16101006	16101006
23	WORM	16101008	16101008	16101008
24	LOCK NUT		16103005	16103005
25	RING-LOCKING	11GB894. 1-86	16103004	16103004
26	WASHER		16103003	16103003
27	BEARING-BALL	60201	60203	60203
28	GASKET-QUILL	13303006	16103006	16203006
29	TUBE-QUILL	13303002A	16103002	16203002
30	KEY-DRIFT	16103008	16103008	16103008
31	KEY-CHUCK	16103010	16103010	16103010
32	CHUCK (OPTION)	JT3/B16/B18	JT3/B16/B18	JT3/B16/B18/B22
33	ARBOR	16103007	16103007	16103007
34	SPINDLE	13303001	16103001	16203001
35	BEARING-BALL	60204	60204	60205
36	LOCK WASHER GB862.1-87	5	5	5
37	SCREW GB818-85	M5-6	M5-6	M5-6
38	SCREW GB818-85	M5-16	M5-16	M5-16
39	SCREW-PAN CR GB845-85	ST4.2-9.5	ST4.2-9.5	ST4.2-9.5

ITEM	DESCRIPTION	PART No RDM-1601F(B)	PART No RDM-2001F(B)	PART No RDM-2801F(B)
40	SWITCH-ROCKER	13302009	16102012	16102012
41	COVER-SWITCH PLATE	16102011	16102009	16202009
42	KEY-SWITCH	J-9301A	16102011	16102011
43	SWITCH-LOCKING(OPTION)	KJD6 KJD12	J-9301A KJD6 KJD12 KJD18	J-9301A KJD6 KJD12 KJD18
44	LEAD		16102018	16102018
45	SCR.SC.SET.FL	13302021	16102021	16102021
46	NUT-HEX GB6170-85	M8	M10	M10
47	NUT-HEX GB6172-85	M12	M12	M12
48	CAP SPRING	16104008	16104008	16104008
49	SPRING	16104009	16104009	16104009
50	RETAINING-SPRING	16104007	16104007	16104007
51	SEAT-SPRING	16104006	16104006	16104006
52	HEAD	13302001	16102001	16202001
53	PIN-STOP	13304010	16104010	16104010
54	LOCK-DEPTH SCREW	16104012	16104012	16104012
55	RING-DEPTH STOP	13304003	16104003	16104003
56	SHAFT-PINION	13304000	16104000	16104000
57	GUDIE-SCALE		16104004	16104004
58	ROD	13304005	16104005	16104005
59	KNOB	13304011	16104011	16104011
60	HANDLE-BELT TENSION	16102004	16102004	16202004
61	KNOB-MOTOR ADJUST	16102005	16102005	16102005
62	SUPPORT-MOTOR BRA(R)	16102002	16102002	16202003
63	SC-HEX.HD.GB5782-86	M8-20	M8-20	M8-20
64	WASHER GB97.2-85	8	8	8
65	CORD-MOTOR (OPTION)	13302016	16102016	16202016
66	NUT-HEX GB6170-86	M8	M8	M8
67	MOTOR (OPTION)	16102020	16102020	16202020
68	NUT-HEX GB6170-86	M12	M12	M12
69	LOCK WASHER GB93-87	12	12	12
70	MOUNT-MOTOR (OPTION)	16102007	16102007	16102007
71	CONNECTOR-WIRE	13302019	16102019	16102019
72	CORD-POWER (OPTION)	13302015	16102015	16202015
73	SUPPORT-MOTOR BRA(L)	16102003	16102003	16202002
74	SC.HEX HD GB5781-86	M8-16	M8-16	M8-16

ITEM	DESCRIPTION	PART No RDM-1601F(B)	PART No RDM-2001F(B)	PART No RDM-2801F(B)
75	LEVER-ADJUSTING	16102006	16102006	16102006
76	CLAMP-CORD	16102014	16102014	16102014
77	SCREW GB818-85	M5-12	M5-12	M5-12
78	SCREW GB818-85		M6-12	M6-12
79	BRACKET-BULB SOCKET		16102013	16102013
80	SOCKET-BULB		E-27	E-27
81	TIE-WIRE	16102017	16102017	16102017
82	WRENCH HEX GB5356-86	3	3	3
83	WRENCH HEX GB5356-86	4	5	5
84	WASHER FOAM	13105009	13105009	13105009
85	SCR-HEX. SOC. SET GB80-85	M8 x 8		
86	SCR-WASHER GB9074. 1-88	M6-12	M6-12	M6-12
87	SCR-HEX. SOC. SET GB80-85	M8-16	M8-16	M10-12
88	PULLER-MOTOR	16105005	16105005	16205005
89	GUARD	13305000	16105000	16205000
90	BELT"V"	16105010M24	16105010M24	16205010A27
91	BEARING BALL	60202	60202	60202
92	PULLEY-CENTER 12SP	16105006	16105006	
	PULLEY-CENTER 16SP	13305006	16105006A	16205006
93	PIVOT-IDLER 12SP	16105007	16105007	
	PIVOT-IDLER 16SP	16205007	16205007	16205007
94	KNOB	16105008	16105008	16105008
95	SCREW GB818-85	M5-12	M5-12	M5-12
96	RING-RETAINING	17 GB894.1-86	16102024	16202024
97	BEARING BALL	60203	60204	60205
98	SPACER	13302023	16102023	16202023
99	INSERT-PULLEY	13302022	16102022	16202022
100	PULLEY-SPINDLE (12SP)	13305009	16105009	
	PULLEY-SPINDLE (16SP)	13305009A	16105009A	16205009
101	NUT-PULLEY	13302025	16102025	16102025
102	BELT"V"	16105010M24	16105011M26	16205011A29
103	BOX-SWITCH	13102008	16102008	16202008
104	TERMINATION BLOCK	20102031	20102031	20102031
105	SCREW GB818-85	M4 x 6	M4 x 6	M4 x 6
106	TERMINAL BLOCK	20102030	20102030	20102030
107	SCREW GB818-85	M5 x 35	M5 x 35	M5 x 35
108	RELIEF-STRAIN	16102020-1	16102020-1	16102020-1
109	LOCK WASHER GB862.1-87	4	4	4
110	CORD	13302015J	16102015H	16202015H



105-2801FN							
NO.	DESCRIPTION	PART NO.	Q'TY	NO.	DESCRIPTION	PART NO.	Q'TY
1	BASE	16101001	1	52	SCREW PAN GB818-85	M6x8	4
2	SUPPORT COLUMN	16201002	1	53	WASHER	6	4
3	SCREW HEX HD GB5781-86	M10x40	4	54	KNOB MOTOR ADJUST	16101013D	2
4	HEX SOCKET SET SCREW GB80-85	M10x12	3	55	BUSHING RUBBER	13105009	4
5	RACK	16101010	1	56	SOCKET BYLB	16102013-1B	1
6	TUBE COLUMN	16201003	1	57	BRACKET BULB SOCKET	16102013-2A	1
7	COLLOR- RACK	16201011A	1	58	LEFT-NUT	16102025	1
8	HEX SOCKET SET SCREW GB80-85	M6x10	2	59	PULLEY SPINDLE	16205009	1
9	CLAMP TABLE	16101012A	1	60	PULLEY INSERT	16102022	1
10	TABLE SUPPORT	16201004	1	61	BEARING BALL GB276-89	6205-2Z	2
11	CRANK	13201009	1	62	SPACER	16202023	1
12	GEAR PIN	16101007	1	63	RING RETAINING	16202024	2
13	GEAR HELICAL	16101006	1	64	NUT-HEX GB170-86	M12	2
14	WORM	16101008	1	65	CAP SPRING	16104008	1
15	SCREW HEX HD GB5781-86	M16x35	1	66	SPRING TENSION	16104009	1
16	ARM TABLE	16201005	1	67	RETAINER SPRING	16104007A	1
17	CLAMP TABLE	16101013A	1	68	SWITCH ROCKER	16102012C	1
18	TABLE	16201014	1	69	SOCKET SET SCREW	16102021	1
19	HANDLE	16104001D	1	70	NUT-HEX GB170-86	M10	1
20	ROLL PIN GB119-86	6X16	1	71	STAR WASHER	5	2
21	SCREW PAN GB70-85	M8X40	1	72	SCREW PAN GB818-85	M5x6	2
22	SHAFT PINION	16104002B	1	73	SWITCH BOX	16202008C	1
23	DEPTH STOP RING	16104003C	1	74	SWITCH PLATE	16102009K	1
24	NIP-KEY	16103011	1	75	SWITCH	CK-1	1
25	SCREW PAN HD.GB818-85	M5×10	1	76	SCREW PAN GB845-85	ST4.2x9.5	3
26	ROLL PIN GB879-86	φ 6× 25	2	77	GASKET QUILL	16203006	1
27	BELT TENSION HANDLE	16202004	1	78	BEARING BALL GB276-89	6203-2Z	1
28	RETAINING RING GB894.1-86	15	1	79	TUBE QUILL	16203002A	1
29	HEAD	16202001H	1	80	BEARING BALL GB276-89	6206-2Z	1
30	SCREW HEX HD GB5781-86	M8x16	1	81	LOCK NUT	16103005	1
31	LEVER-ADJUSTING	16102006	1	82	SHAFT SPINDLE	16203001A	1
32	MOTPOR SUPPORT BRACKET-LEFT	16202002	1	83	KEY-DRIFT	16103008	1
33	MOTPOR SUPPORT BRACKET-RIGHT	16202003	1	84	ARBOR	20103007	1
34	SCREW HEX HD GB5781-86	M8x25	4	85	CHUCK	16103009G	1
35	WASHER	8	8	86	KEY-CHUCK	16103009G-1	1
36	MOTOR MOUNT	16102007B	1	87	EYE-SHIELD	20108002	1
37	LOCK WASHER	12	2	88	WRENCH HEX "L" GB5356-85	S3	1
38	NUT-HEX GB170-86	M12	2	89	WRENCH HEX "L" GB5356-85	S5	1
39	NUT-HEX GB170-86	M8	4	90	CORD&PLUG	DLCMFF3Z15	1
40	MOTOR	YLL8014-T	1	91	调整螺母	16108005-6	2
41	PULLEY MOTOR	16205005A	1	92	止动垫圈	16108005-4	1
42	HEX SOCKET SET SCREW GB80-85	M10x12	1	93	调整螺杆	16108005-5	1
43	V-BELT	16205010	1	94	锁紧螺母	16108005-2	1
44	BEARING BALL GB276-89	60202	2	95	卡紧箍	16108005-1	1
45	MIDDLE-PULLEY	16205006	1	96	NUT-HEX GB170-86	M10	1
46	MIDDLE-AXLE	16205007	1	97	JIGGLE-SWITCH	16105013C	1
47	GUARD	16205000J	1	98	SCREW PAN GB70-85	M8X30	1
48	KNOB	16105008	1	99	WRENCH HEX "L" GB5356-85	S6	1
49	SCREW PAN GB818-85	M5x12	1	100	RING LOCKING	16103004	1
50	SCREW PAN GB818-85	M5x10	1	101	WASHER	16103003	1
51	CLAMP CORD	16102014A	1	102	V-BELT	16205011	1